

Technical data sheet



Product features

Fry-top griddle plate 65x48 gas chromed combined counter top

Model	SAP Code	00000995
--------------	-----------------	----------



- Top type: Combined
- Griddle dimensions [mm x mm]: 650 x 480
- Griddle thickness [mm]: 10.00
- Container for liquid fat: Yes
- Independent heating zones: Separate control for each heating zone
- Maximum device temperature [°C]: 300
- Surface finish: polished chrome 0.03 mm
- Removable rim: No
- Ignition: Piezo

SAP Code	00000995	Power gas [kW]	8.000
Net Width [mm]	658	Type of gas	Propane butane, natural gas
Net Depth [mm]	0	Griddle dimensions [mm x mm]	650 x 480
Net Height [mm]	285	Top type	Combined
Net Weight [kg]	45.00		

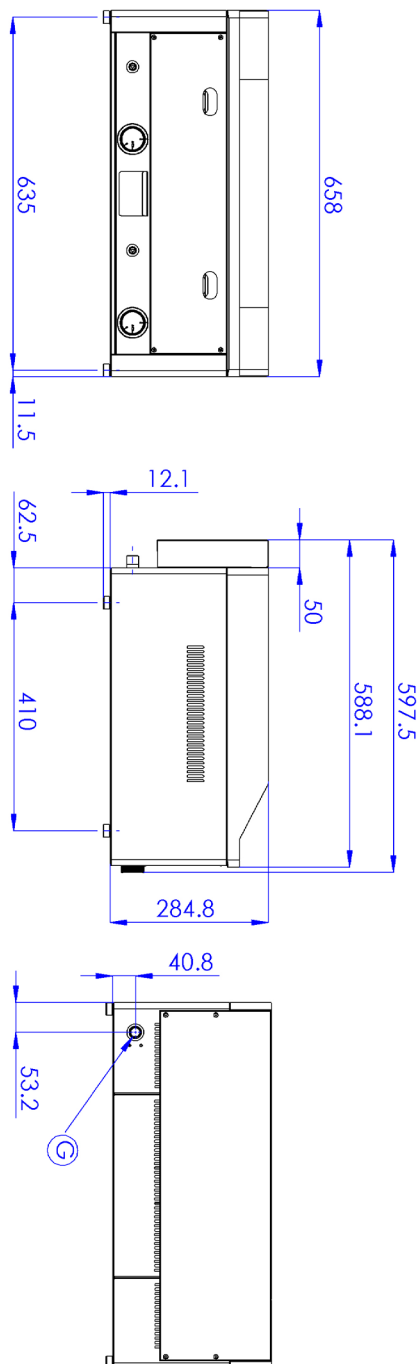
Technical data sheet



Technical drawing

Fry-top griddle plate 65x48 gas chromed combined counter top

Model	SAP Code	00000995
--------------	-----------------	----------



Fry-top griddle plate 65x48 gas chromed combined counter top

Model

SAP Code

00000995

1

Safety element – thermocouple

safe service for staff
there is no unnecessary gas leakage
long life

- savings on service interventions
- easier and faster operation

7

Cooking unit for use on a table or on a base

variable use
the possibility of placement in smaller spaces

- easy handling
- cost savings on substructure

2

All-stainless design

long life
resistance of AISI 304 stainless steel material
the material does not cut

- savings on service interventions
- easy cleaning and maintenance of equipment

3

Degree of protection of the control elements IPX4

maintenance-free system
resistance to splash water
long life

- savings on service interventions
- easy cleaning and maintenance of equipment

4

Outlet for waste liquids

ensures that oil drips into the socket

- easy maintenance
- easy cleaning

5

High non-removable hem

better hygienic conditions
preventing grease from splashing onto ancillary equipment

- easy maintenance
- easy cleaning

6

Combined plate made of chrome-plated steel

the product bakes less
enables preparation on smooth or grooved plates

- time-saving in food preparation
- easy preparation of different types of dishes

Technical data sheet



Technical parameters

Fry-top griddle plate 65x48 gas chromed combined counter top

Model

SAP Code

00000995

1. SAP Code:

00000995

2. Net Width [mm]:

658

3. Net Depth [mm]:

0

4. Net Height [mm]:

285

5. Net Weight [kg]:

45.00

6. Gross Width [mm]:

640

7. Gross depth [mm]:

725

8. Gross Height [mm]:

410

9. Gross Weight [kg]:

50.00

10. Device type:

Gas unit

11. Construction type of device:

Table top

12. Power gas [kW]:

8.000

13. Ignition:

Piezo

14. Type of gas:

Propane butane, natural gas

15. Protection of controls:

IPX4

16. Material:

AISI 430

17. Surface finish:

polished chrome 0.03 mm

18. Maximum device temperature [°C]:

300

19. Minimum device temperature [°C]:

50

20. Adjustable feet:

Yes

21. Griddle dimensions [mm x mm]:

650 x 480

22. Griddle thickness [mm]:

10.00

23. Container for liquid fat:

Yes

24. Independent heating zones:

Separate control for each heating zone

25. Removable rim:

No

26. Uniform heating:

Yes

27. Top type:

Combinated

28. Connection to a ball valve:

1/2